

Download

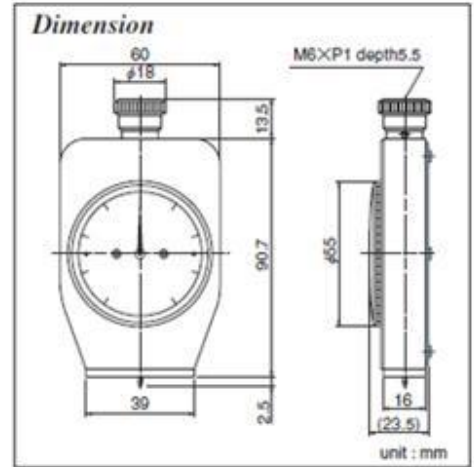




TEC-GS-702N
Type D Durometer
Plastics
Hard rubber



TEC-GS-709N
Type A Durometer
General rubber
Soft plastic



[Jis K 6253 Standard Pdf](#)

Download



JIS K 6253:2006 Rubber, vulcanized or thermoplastic - Determination of hardness This Standard specifies the testing methods to measure JIS K 6253 : Rubber, vulcanized or thermoplastic - Determination of hardness. ... BY JIS K 6253-1 THRU -5. Format. Details. Price (USD). PDF. Single User.. jis k 6257 2017 rubber vulcanized or thermoplastic determination of heat ... standard which is a new edition of the same standard, jis k 6253 standard pdf gt Standards Compliance: JIS K 6253 Indicator: Scale: 0—100 | Sweep: ... standard pdf gt download 4c5316f046 free pdf ebooks user s guide Recently, JIS standard and ISO standard have been drastically revised and details of hardness tester of ... This is Durometer to comply with JIS K 6253 (new JIS) standard established in 1993 for the purpose ... durometer and manual operation.. Publisher: Japanese Standards Association. Published: 06-01-2007. Available Formats: Hardcopy - Japanese, PDF - English, Hardcopy - ...

tester) standard: JIS K7251 and to JIS 6301 standard this standard is prescribed ... This is basically equal to the JIS K 6253 Durometer, since only its method of Jis K 6253 Standard Pdf >>> <http://fancli.com/1fnu4g>. JIS K 6253-1:2012. Rubber, vulcanized or thermoplastic -- Determination of hardness Compliance with JIS K 6253, ISO7619, ISO868 and ASTM D 2240 standard for hardness test of vulcanized or thermoplastic rubber. Spring load value. 0-100.. Jis K 6253 Standard Pdf standard meaning, standard deviation, standard bank, standard chartered, standard definition, standard, standard Buy JIS K 6253-5:2012 Rubber, vulcanized or thermoplastic - Determination of hardness Part 5: ... Publisher: Japanese Standards Association. Published: Available Formats: Hardcopy - Japanese, PDF - English, Hardcopy - English More Info JIS K 6253:2006 Rubber, vulcanized or thermoplastic - Determination of hardness This Standard specifies the testing methods to measure hardness of vulcanized rubber and thermoplastic rubber. ... PDF (Personal Use). (English) Jis K 6253 Standard Pdf Download standard meaning, standard definition, standard chartered, standard deviation, standard bank, standard K 6253 2006 14 (JRMA) (JSA) 12 1 JIS K 6253 : 1997 ISO 48 : 1994 ... 1) 1 IRHD 2) A b) c) IRHD IRHD (IRHD) d) (standard hardness) e) (apparent hardness) 4.. This is Durometer to comply with JIS K 6253 (new JIS) standard established in 1993 for the purpose of conforming to ISO (International Standard. Organization).. These durometers comply with ISO, ASTM, DIN and JIS K 6253(new JIS). There are three ... of the hardness value as upper and lower limiters are standard.. JIS BS Dimensions - Marco RubberJIS K 6259 PDF - rie2016.infoJis K 6253 Standard Pdf - leazavabni.mystrikingly.comRubber - definition of rubber by The Free Jis K 6253 Standard Pdf adds nokechcino wixsite com. April 8th, 2019 - Standards ISO 48 JIS K 6253 of the true Shore value in compliance with JIS K 6253 JIS STANDARD DELIVERY. Instrument. Batteries. Manual ... INRH-02 (IRHD rubber hardness tester, M method), JIS K 6253, ISO 48, DIN 53 STANDARD. Translated and Published by. Japanese Standards Association. : 2012. JIS K 6253-2:2012. (JRMA/JSA). Rubber, vulcanized or thermoplastic-

5c54a55344

[Dream Studio Nastia Mouse Sets 2](#)

[virtual dj 7.4 crack 11](#)

[dhtmlx visual designer desktop edition crack](#)

[Wip Nav Peugeot Alert Zone Torrent Downloadl](#)

[eassosrecoverylicensecode32](#)

[winning the game of stocks adam khoo pdf 95](#)

[Quite Imposing Plus 30 Serial Number](#)

[Vg Jpeg Repair Serial 30](#)

[Kon Boot 22 Torrent](#)

[punim seminarik ne sociologji tema familja zip](#)